



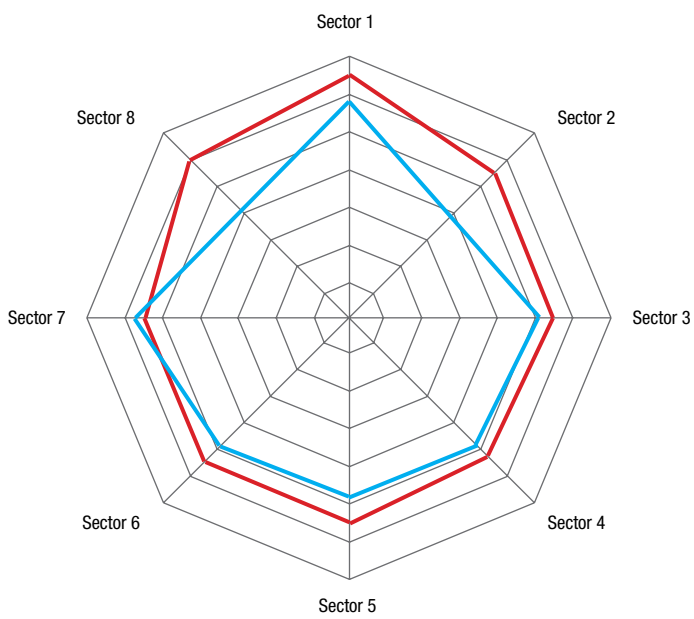
WD9 - Worm Drive Clamps (9 mm - W1)



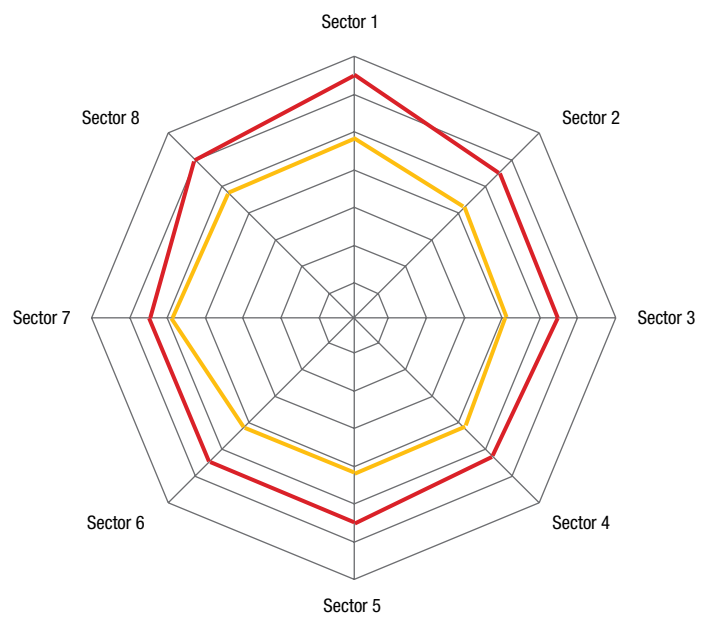
WD9 - Worm Drive Clamps (9mm - W1)



Radial Distribution Comparison Tests

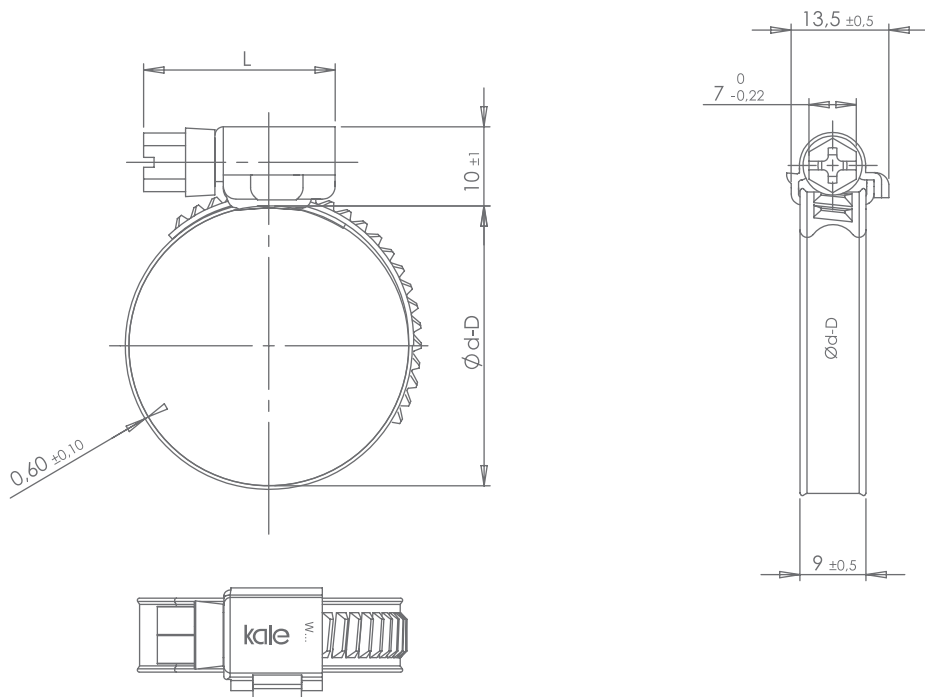


— Kale - W1
— Globally known brand - W1



— Kale - W1
— Kale - W2B

Technical Properties



Ø d - D (mm)	W1 (Nm)		L (mm) ± 2
	AD max	PD max	
8-16	2,5	3,5	20
12-20	2,5	3,5	20
12-22	3,0	4,0	24
16-25	3,0	4,0	24
16-27	3,0	4,0	24
20-32	3,0	4,0	24
23-35	3,0	4,0	24
25-40	3,0	4,5	24
30-45	3,0	4,5	24
32-50	3,0	4,5	24
40-60	3,0	4,5	24
50-70	3,0	4,5	24
60-80	3,0	4,5	24
70-90	3,0	4,5	24
80-100	3,0	4,5	24
90-110	3,0	4,5	24
100-120	3,0	4,5	24
110-130	3,0	4,5	24
120-140	3,0	4,5	24
130-150	3,0	4,5	24
140-160	3,0	4,5	24
...
380-400	3,0	4,5	24

Screw Head	Philips Type

W1	
----	--

Material Code	Housing	Screw	Band
W1	Mild steel	Mild steel	Mild steel

AD: Recommended tightening torque
 PD: Testing torque



Kale Bağlantı Teknolojileri San. ve Tic. A.Ş.
Phone: +90 216 625 1 625 Fax: +90 216 593 0 509 Web: www.kaleclamp.com
Address: İstanbul Anadolu Yakası Organize Sanayi Bölgesi 5. Sokak No.4 Tuzla TR-34953 İstanbul - TÜRKİYE

This catalogue may contain technical or syntax errors. Kale reserves the right to make changes without notification.